



**clean air**



**oilmist**

**RECOJET - 1**



## **RECOJET® -1\***

**The complete solution, plug-in ready to operate.  
Patented Oil Mist Separation System for all types  
of machining centers.**

**Up to four filter stages**

**Dynamically balanced high performance blower**

**Flame barrier for fire protection**

**Built in sound attenuator**

**Light weight construction and compact design**

**Maintenance free X-Zyclon®\* filter system**

**Proven separation efficiency**

**Dynamically & statically balanced filter unit**

**Optional Ventury Pipe attachment**

**RECOJET®-1 eliminates the inherent problems  
of centrifugal systems such as noise, strong  
vibration and low separation efficiency.**



**\* Registered Trade Mark & Patent Protection**

**REVEN**

**For a complete review of available  
product visit our web site  
[www.reven.de](http://www.reven.de)**

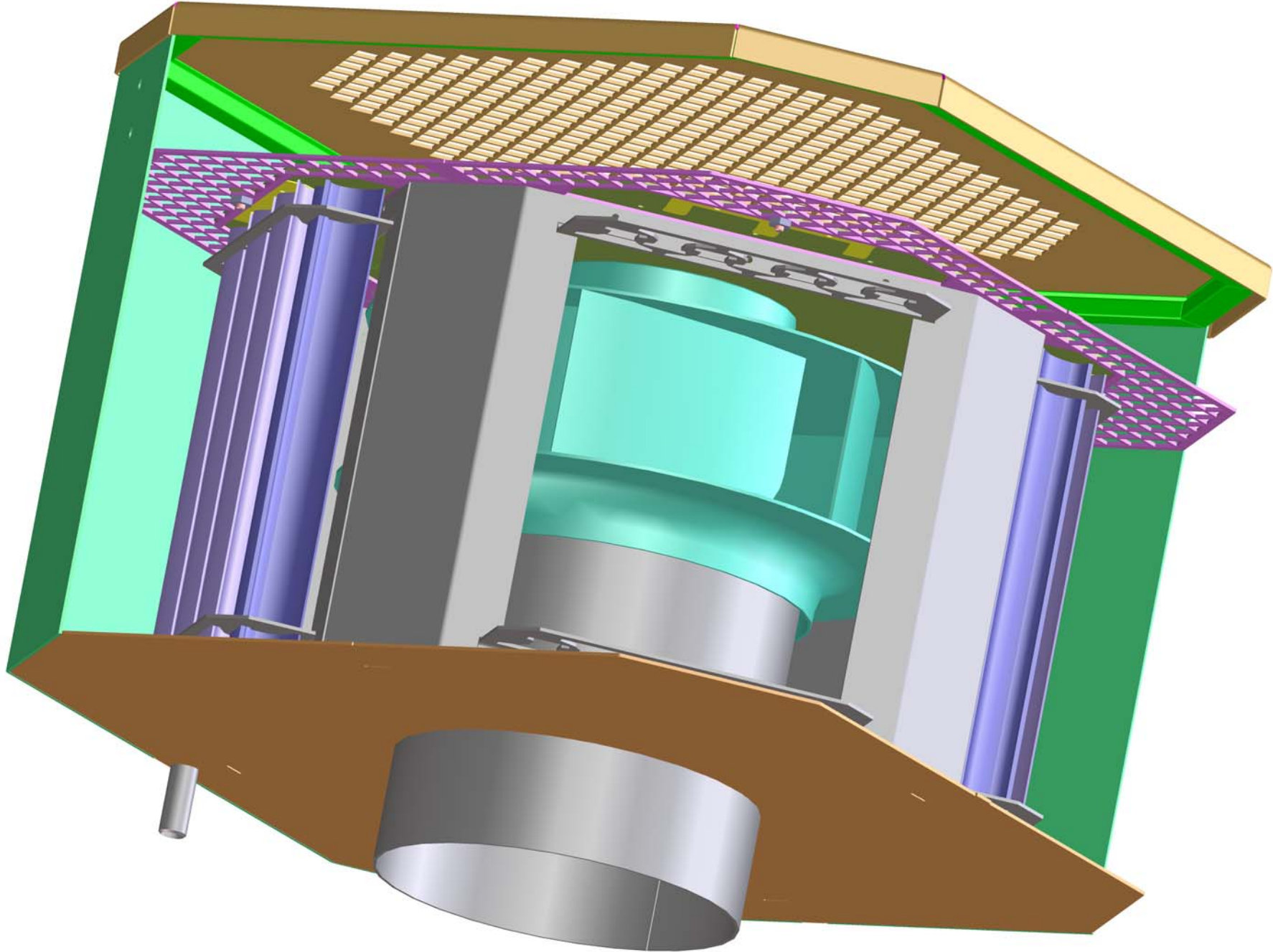
### **RECOJET®-1 Specifications:**

**440mm / 17" Wide, 440 mm / 17" Deep, 280 mm / 11" High**

**Weight: 20 kg / 44 lbs, Sound Rating: 66 db (A)**

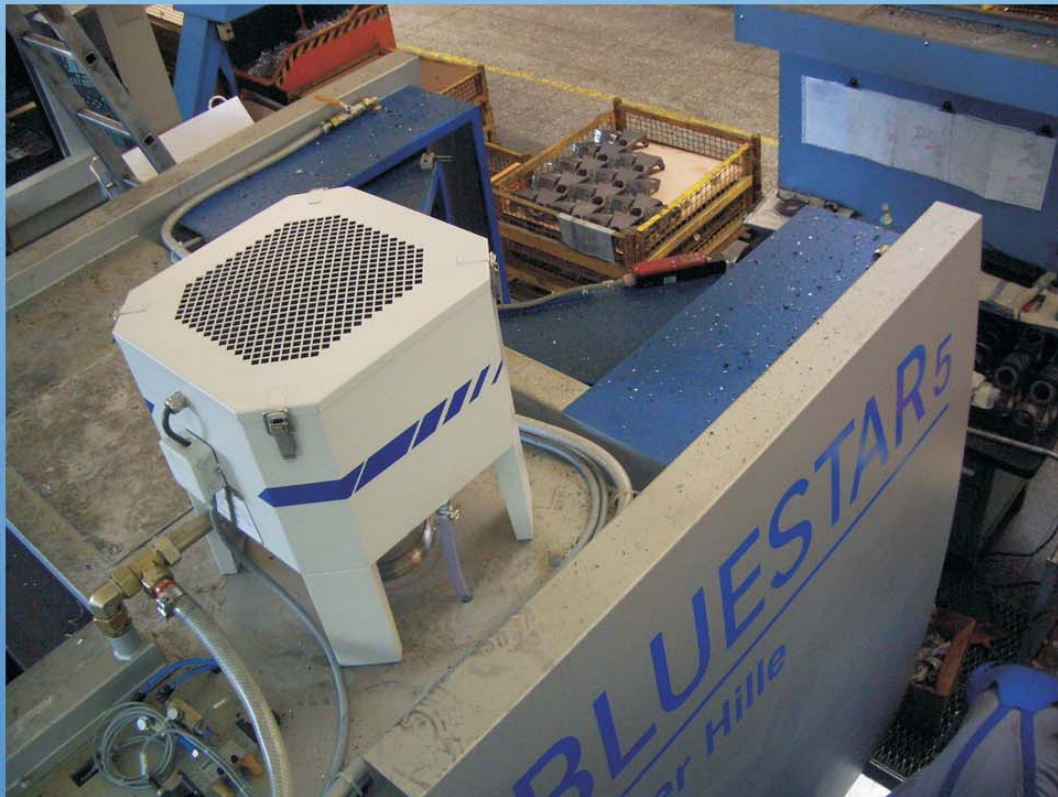
**Air Flow Rating: 800 - 1,200 m<sup>3</sup> / hr / 470 - 700 cfm**

**Operating Voltage: 400V-3-50 Hz.**





# REVEN





# RELVÉN

## RECOJET

### accessories parts 1-8



8



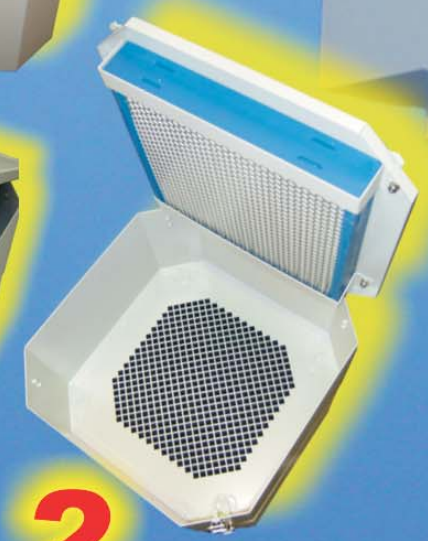
7



6



1



2



3



4



5



We don't leave you in the fog!

part-number	amount	description
-	___piece	<b>RECOJET-1 oil mist separator</b> with 800-1000 m <sup>3</sup> /h without accessories, connection diameter 160mm, color RAL 7035, 440x440x280mm, 20kg, 3~400V 250Watt 0,5A 50Hz, 63dB(A)
-	___piece	<b>Special color</b> in the following RAL number: <i>(please note the RAL number you want)</i>
1	___piece	<b>Hepa – Filter Top</b> RAL 7035 for RECOJET-1 with hepa-filter, height 215mm, type NF-HEPPA-RC
-	___piece	<b>Spare part filter</b> for RECOJET-1 <b>Hepa – Filter Top</b> 330x330x180mm
2	___piece	<b>BIA-Filter Top</b> RAL 7035 for RECOJET-1 with washable BIA-Filter, height 215mm, type NF-BIA-RC
-	___piece	<b>Spare part filter</b> for RECOJET-1 <b>BIA – Filter Top</b> 330x330x50mm
3	___piece	Electrical connection by a ___ <b>metal junction box</b> or by a ___ <b>Harting plug</b> or by a ___ <b>Harting box</b> instead of a plastic junction box <i>(please mark the version you want)</i>
4	___piece	<b>RECOJET-1 exhaust kit II</b> diameter 160mm (2m pipe with 2 clamps)
5	___piece	<b>RECOJET-1 Side Pipe</b> Clean diameter 160mm RAL 7035 Size: height 320mm width 370mm
6	___piece	<b>RECOJET-1 Chip Pre - Filter</b> diameter 160mm RAL 7035, height 110mm
7	___piece	Set of 4 pieces of <b>Installation Feet</b> height 200mm include screws
8	___piece	<b>Drain Pipe</b> for the separated liquid, length 3 meters, inside diameter 13mm, one set with 3m length and one clamp
-	___piece	<b>Fan Upgrade</b> to 1000 - 1200 m <sup>3</sup> /h

**Address, Remarks and Notes:**

---



---



---



---



---